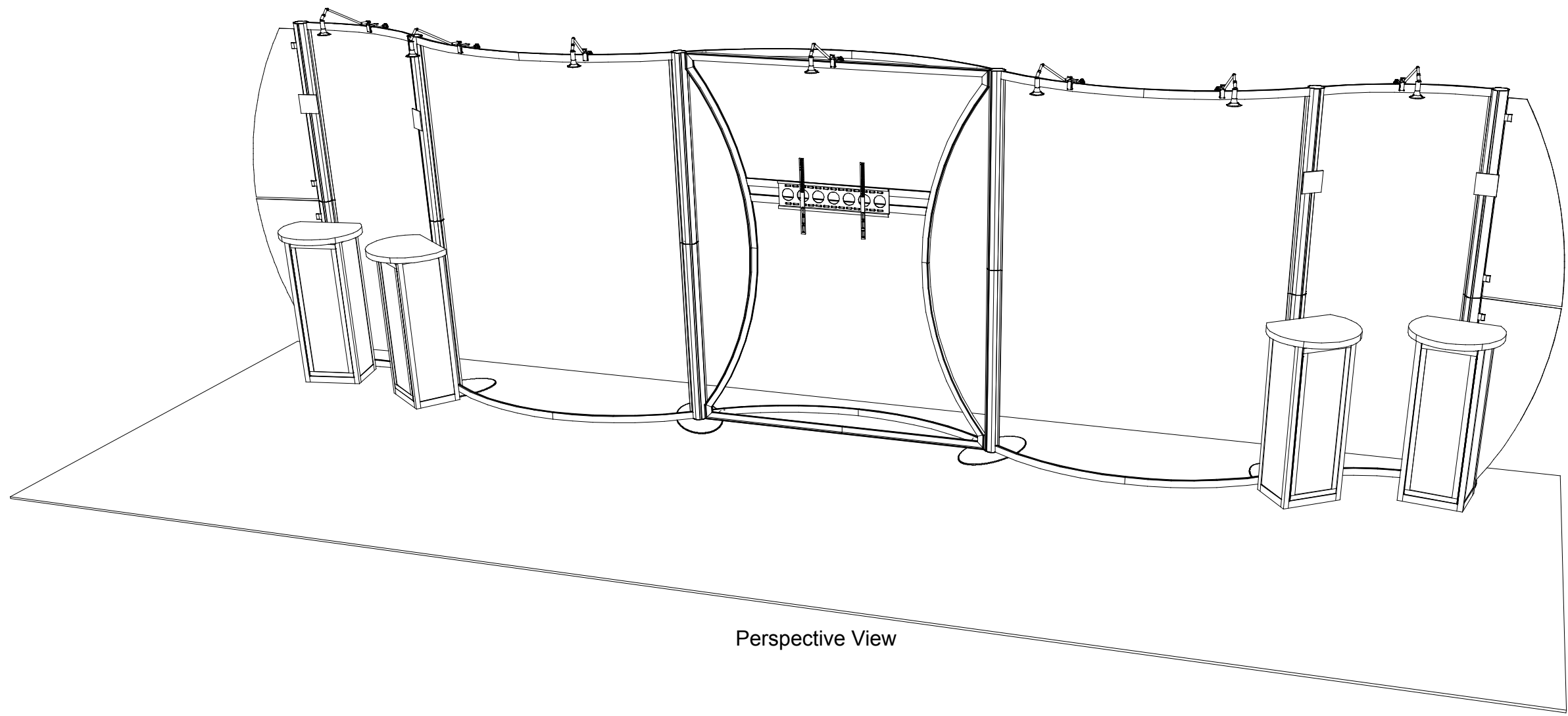


Plan View 30'



General Setup Instructions

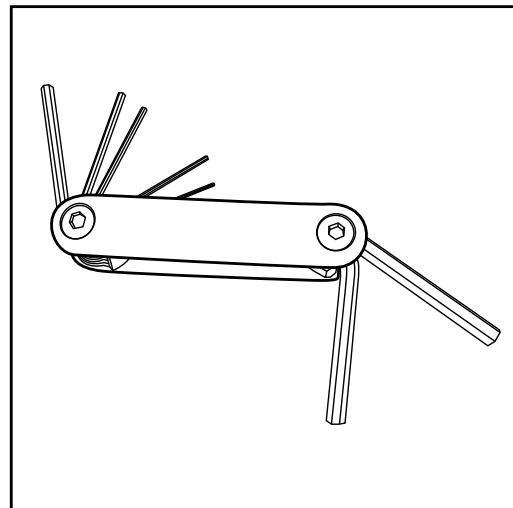
- Read entire setup instruction manual prior to unpacking parts and pieces.
- The setup instructions are created specifically for this configuration.
- Setup instructions are laid out sequentially in steps, including exploded views with detailed explanation for assembly.

Cleaning & Packing

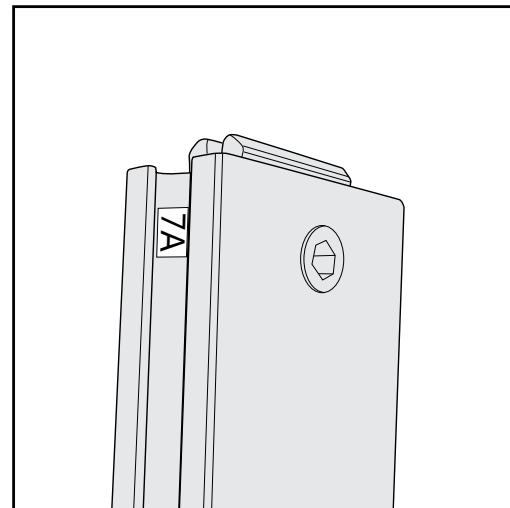
- For Cleaning Metal, Plex, & Laminate Parts: Use a **MILD NON-ABRASIVE** cleanser and soft cloth/paper towel to clean all surfaces.
- Keep exhibit components away from heat and prolonged sun exposure.
Heat and UV exposure will warp and fade components.
- Retain all provided Packing Materials. All provided packing materials are for ease of repacking & component protection.

Disassembly

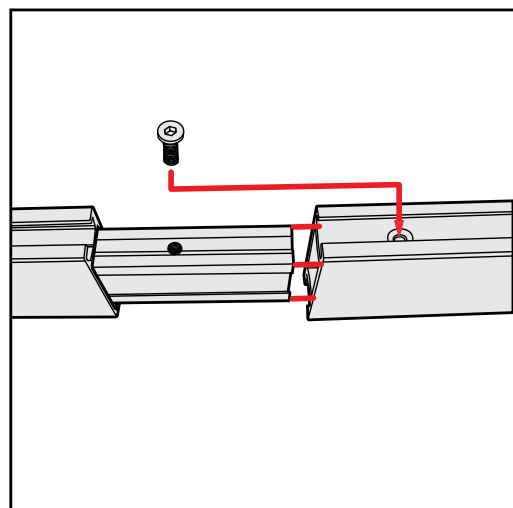
- For loss prevention, tighten all setscrews and locks during disassembly



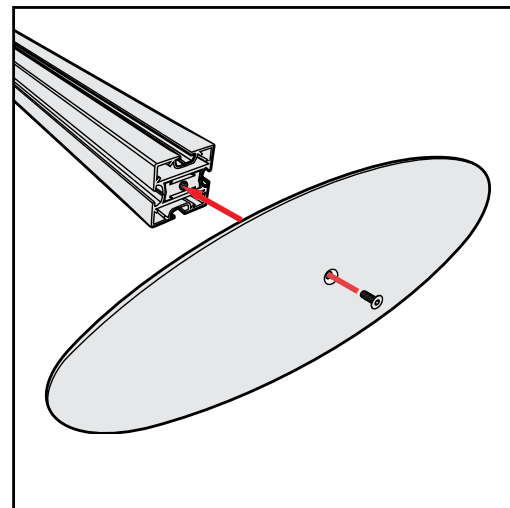
Hex Tool - Essential for Assembly



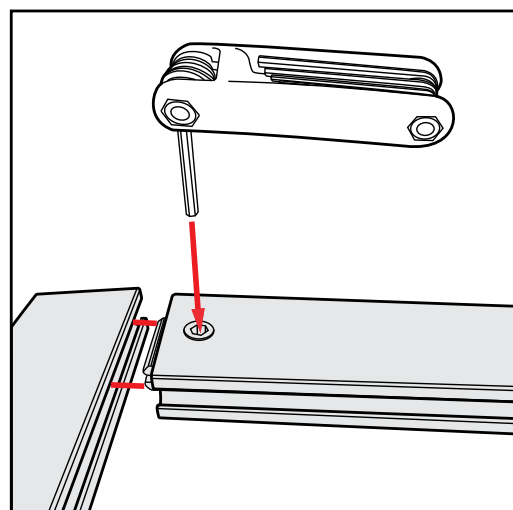
Part Identification - Numbering



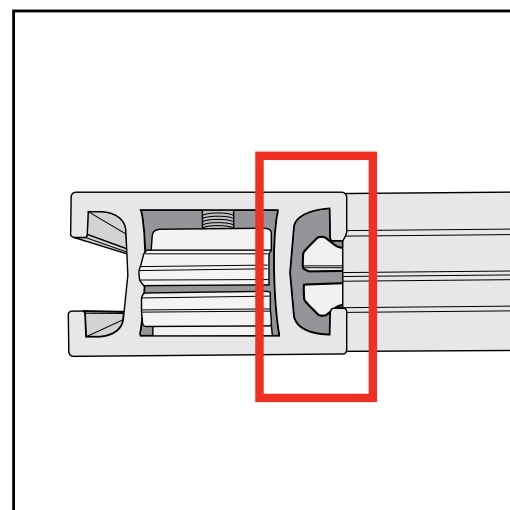
Spline Connection



Base Plate & Extrusion Connection



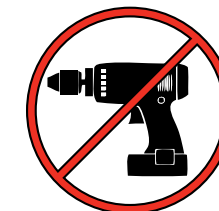
Extrusion & Lock Connection



Engaged Lock



WARNING



DO NOT USE POWER TOOLS

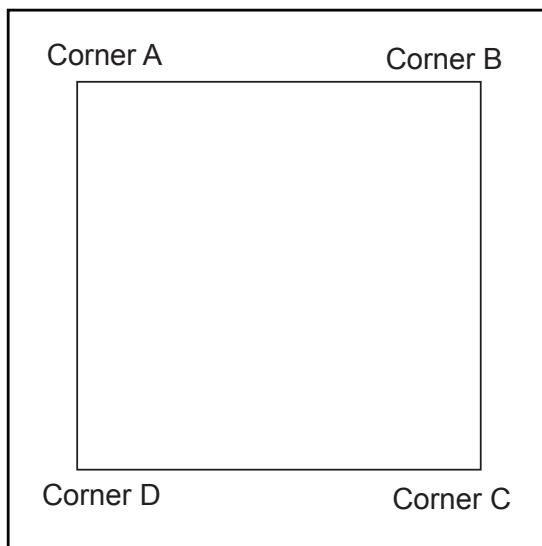


LADDERS OR LIFTS
MAY BE REQUIRED

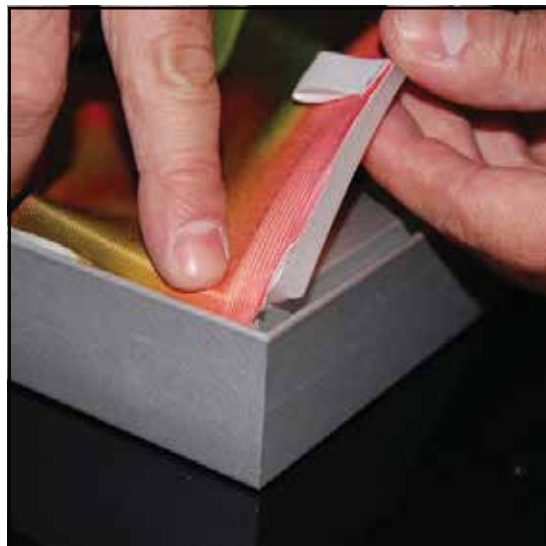


ALL CONNECTIONS MUST
BE TIGHTLY SECURED

SEG Graphic Installation



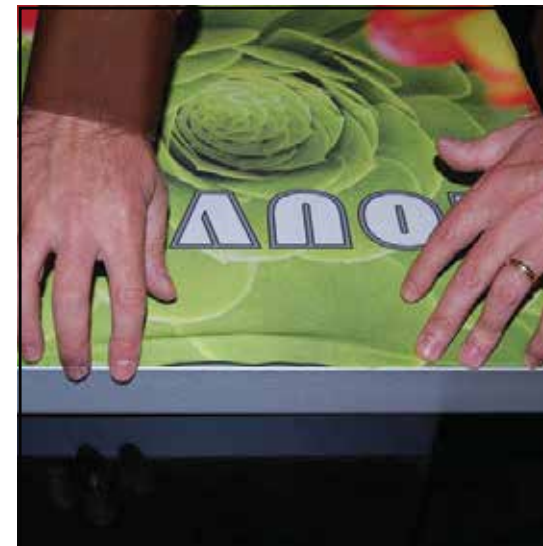
It is important to first insert graphic into each alternate corner then to the sides of the frame. If this is not done, graphic will not fit into the frame correctly.



Step 1
Insert corner A. Turn edge of graphic so silicon welt is perpendicular to face of graphic. Insert narrow side of welt with fabric to outside into the channel. Repeat for other side of this corner.

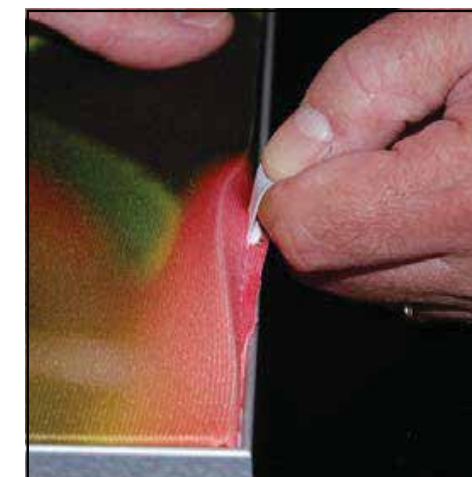


Step 2
Repeat Step 1 for opposite corner C, then insert corner B, followed by corner D, to complete the installation of the corners.



Step 3
Once all corners are inserted, press one silicon edge into channel from corners and work toward the center. Make sure welt is fully inserted into channel. Continue until all sides are done. Smooth out edges of graphic.

Graphic Removal

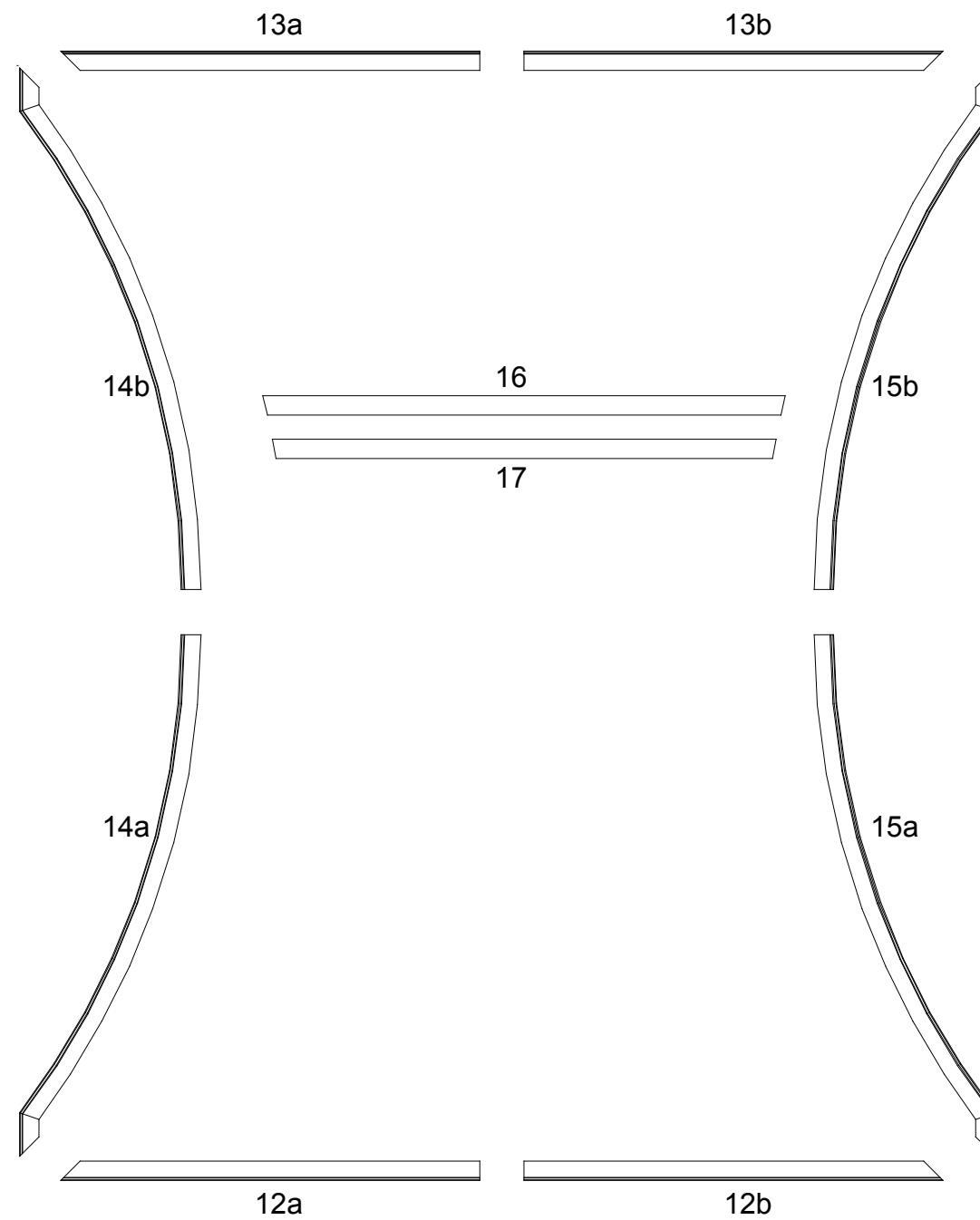


To remove the graphic from the frame, locate the fabric pull tab. Gently pull up on the tab to remove the fabric.

| Item | Qty. | Description |
|---------|------|---------------------------------|
| 12a/12b | 1/1 | 38.5" w Horizontal Extrusion |
| 13a/13b | 1/1 | 38.5" w Horizontal Extrusion |
| 14a/14b | 1/1 | 44.6" Curved Extrusion |
| 15a/15b | 1/1 | 44.6" Curved Extrusion |
| 16 | 1 | 48" w Horizontal Extrusion |
| 17 | 1 | 46.2573" w Horizontal Extrusion |

Steps:

- 1) Attach vertical extrusions [14a,14b] & [15a,15b] together.
- 2) Connect horizontal extrusions [12a,12b] & [13a,13b] together.
- 3) Connect horizontals between assembled verticals.



Wing Attachment

Slide A10 Clamp into groove of square extrusion.



A10

When desired location is found, tighten set screw to secure.

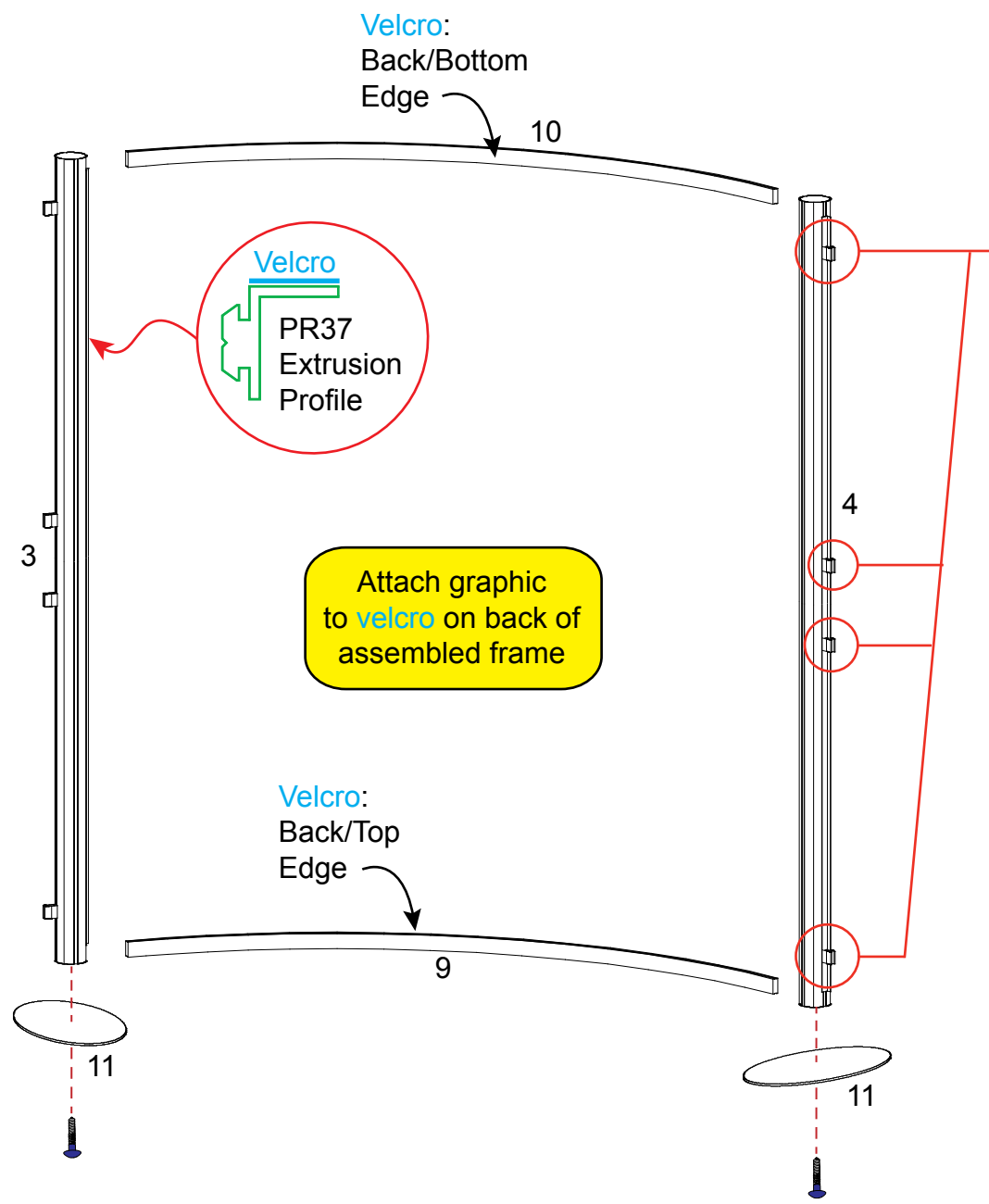


Set-Screw

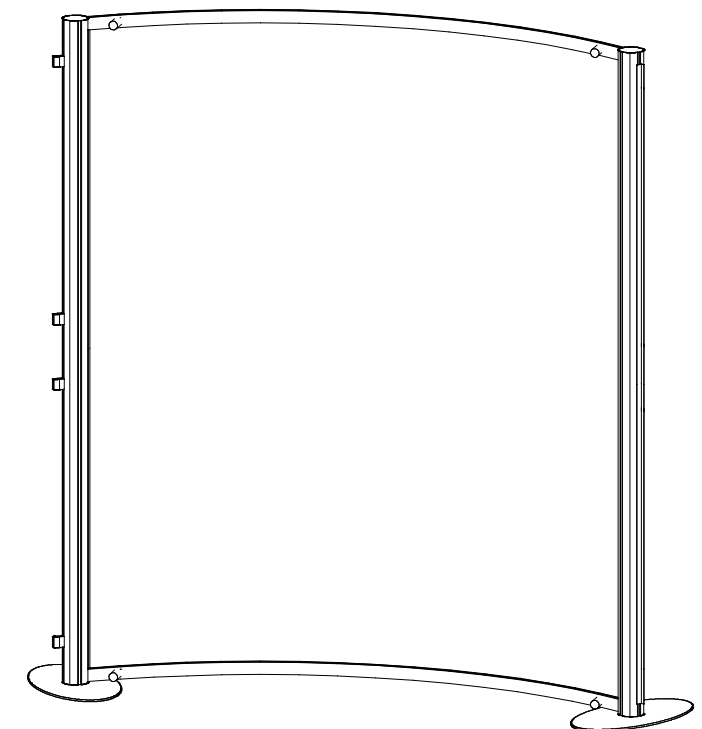
Tighten black plastic set screw to secure Wing in place.



Plastic Knob



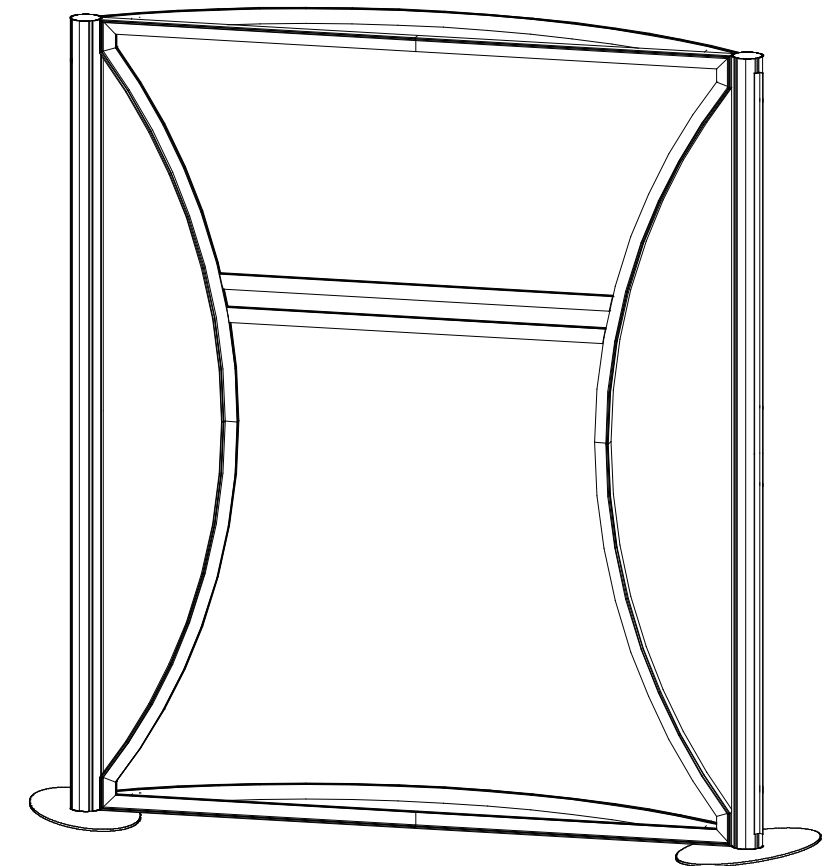
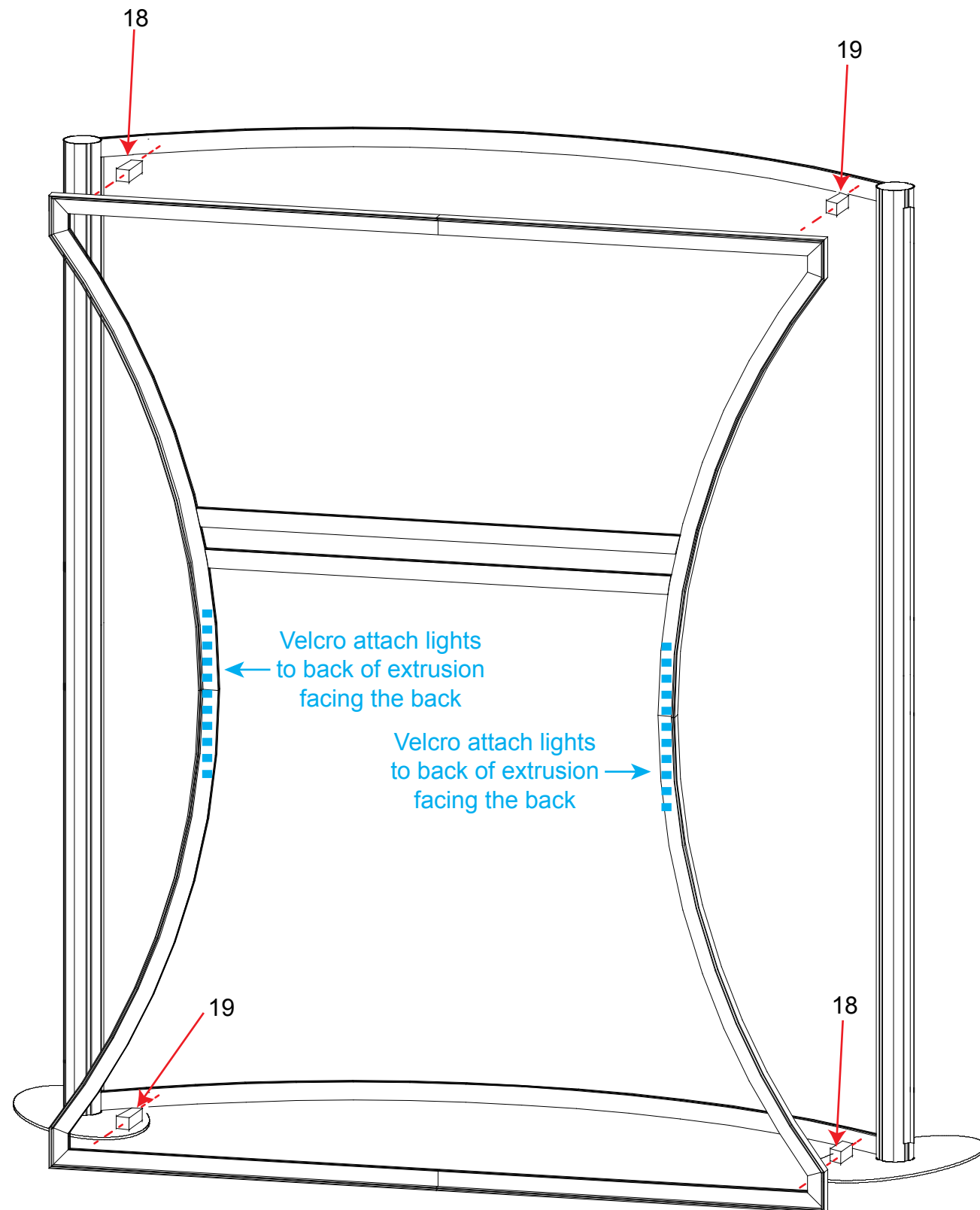
Remove A10's for 10x20 & 10x30 Configuration



When assembled

| Item | Qty. | Description |
|------|------|--------------------------------------|
| 3 | 1 | 48" h Round Vertical Extrusion |
| 4 | 1 | 48" h Round Vertical Extrusion |
| 9 | 1 | 41.7083" Curved Horizontal Extrusion |
| 10 | 1 | 41.7083" Curved Horizontal Extrusion |
| 11 | 1 | Oval Base Plate |

- Steps:
- 1) Attach base plates to lower verticals using bolts as shown.
 - 2) Attach upper verticals to lower verticals.
 - 3) Connect curved horizontal together.
 - 4) Attach curved horizontal assemblies between verticals.

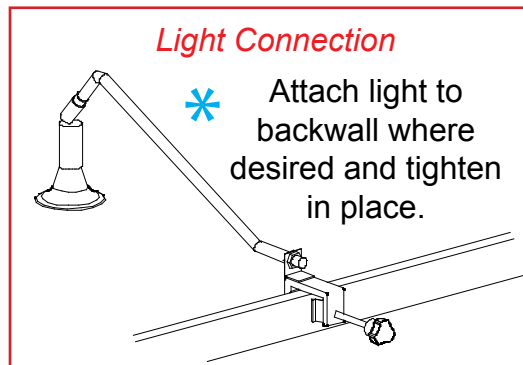
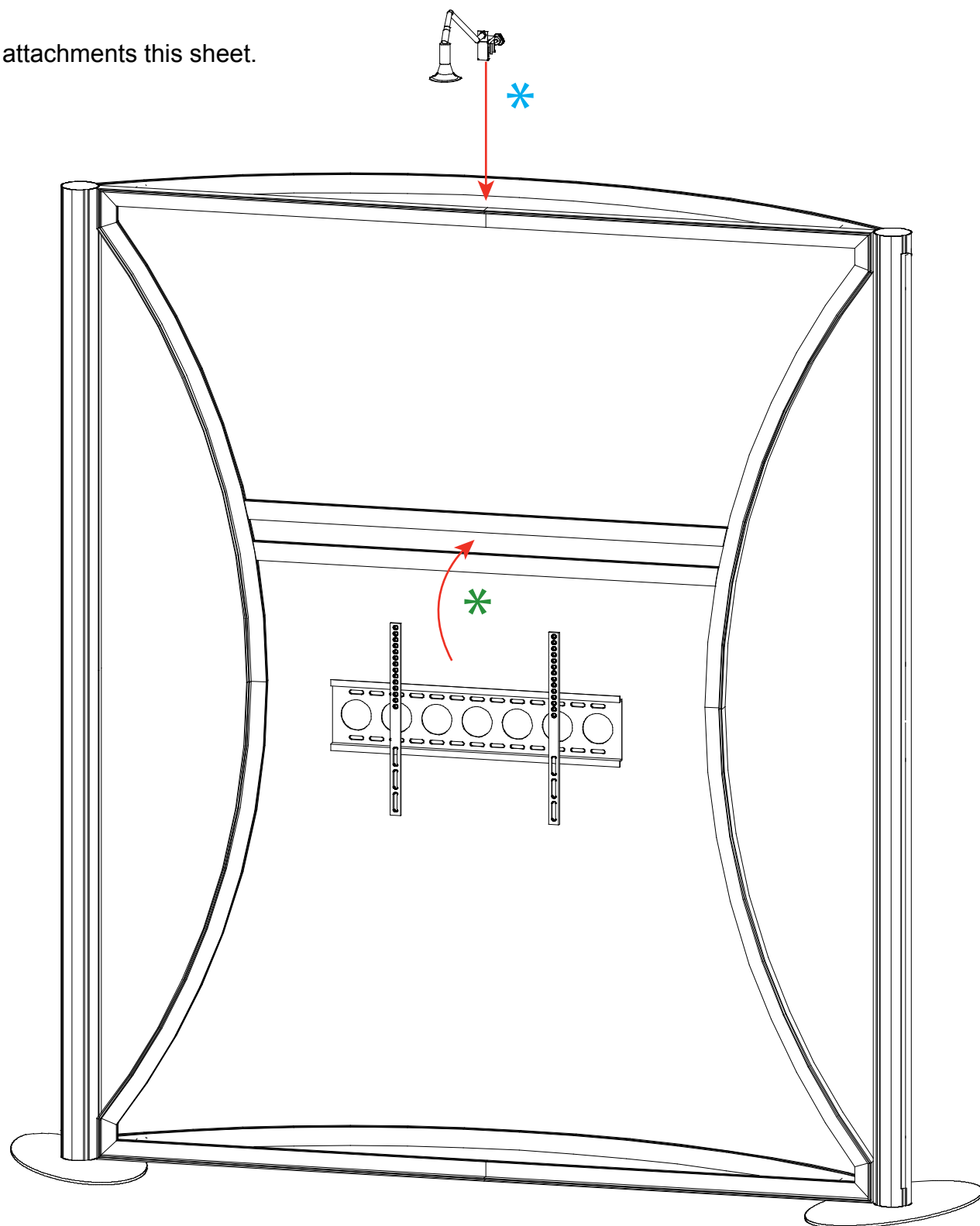


When assembled

Steps:

- 1) Attach assembled SEG frame to backwall using connectors [F] as show.
- 2) Velcro attach lights to back of SEG frame.

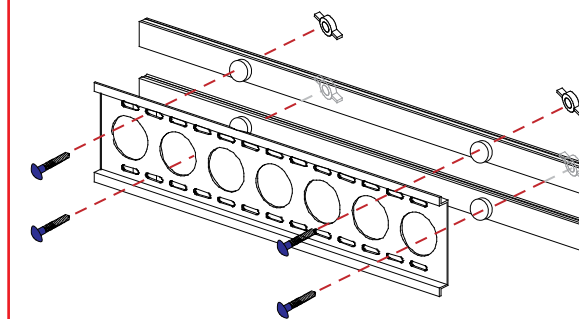
Steps:
1) See details and attachments this sheet.



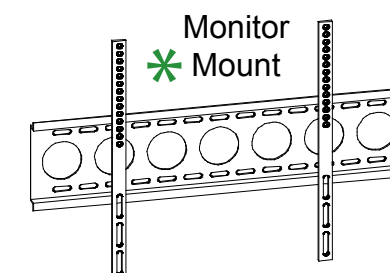
Apply graphics before monitor mount attachment.

* *Monitor Mount Attachment*

Attach wall plate to horizontal bars using standoffs bolts and wing nuts

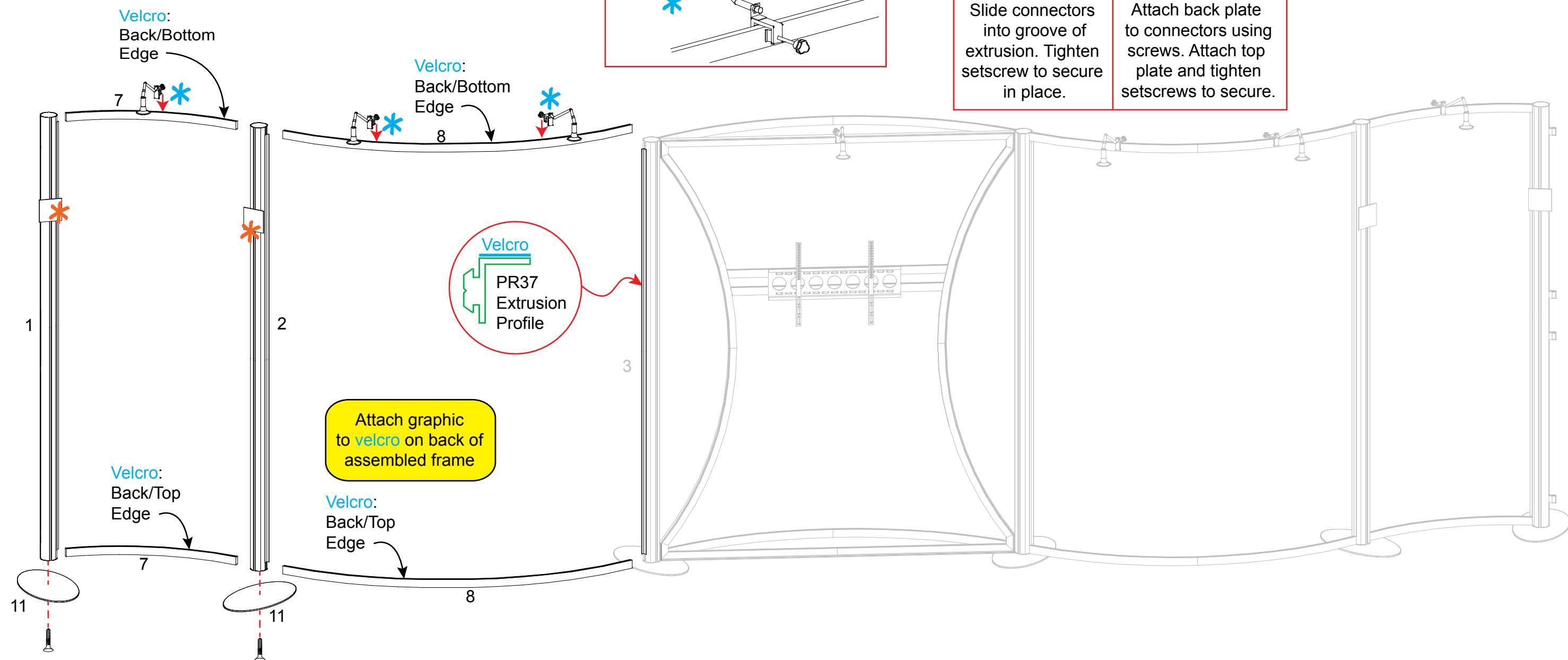
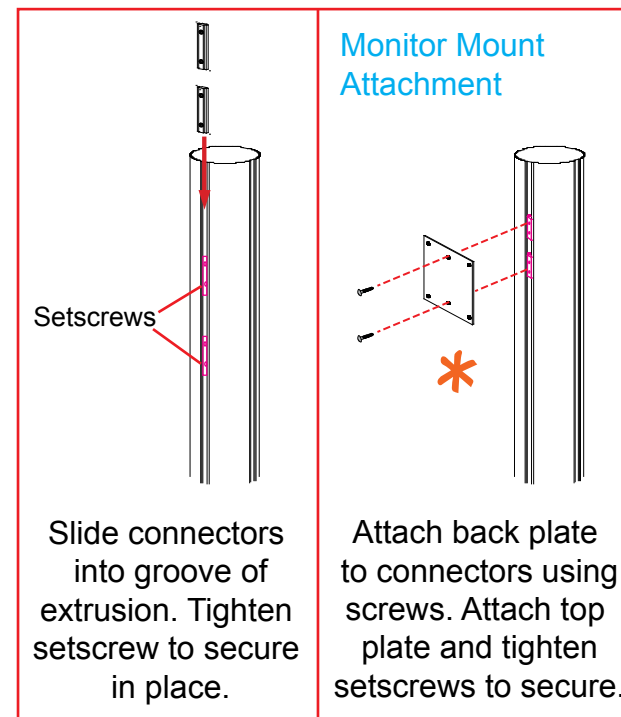
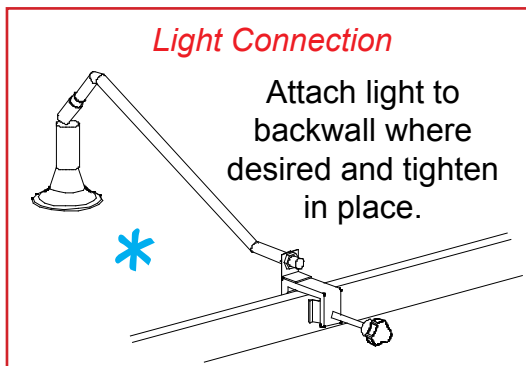


Hook monitor brackets over top of wall plate, then secure with safety bolts to bottom of monitor brackets.



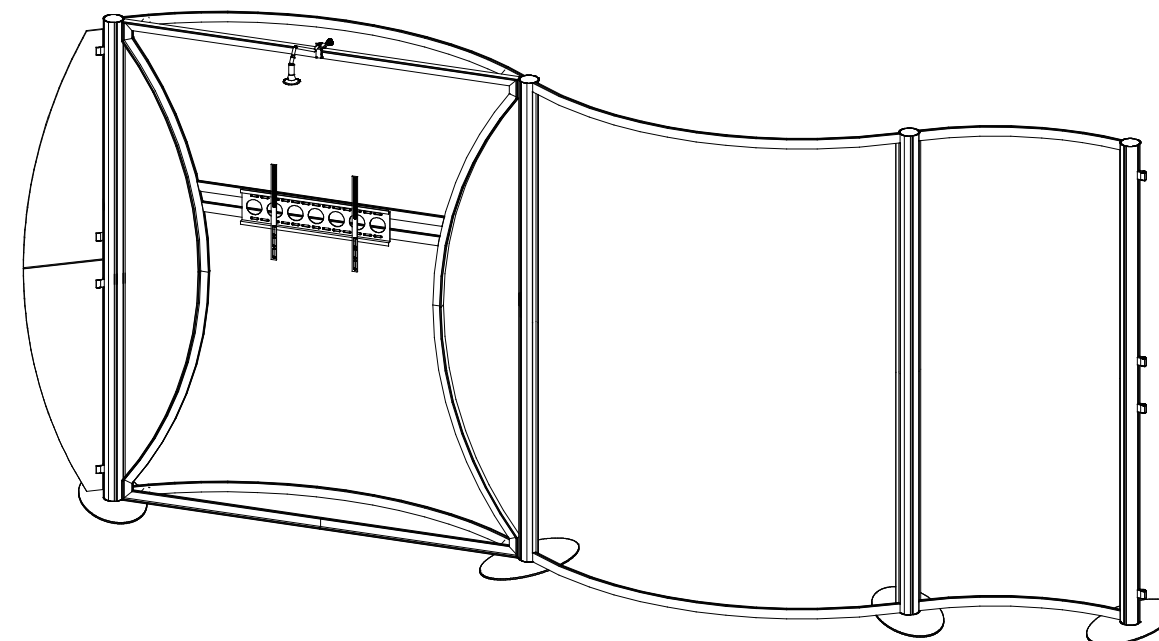
| Item | Qty. | Description |
|------|------|-----------------------------------|
| 1 | 1 | 96" h Round Vertical Extrusion |
| 2 | 1 | 96" h Round Vertical Extrusion |
| 3 | 1 | 96" h Round Vertical Extrusion |
| 7 | 2 | 38" w Curved Horizontal Extrusion |
| 8 | 2 | 76" w Curved Horizontal Extrusion |
| 11 | 2 | Oval Base Plate |

- Steps:
- 1) Attach base plates to lower verticals using bolts as shown.
 - 2) Attach upper verticals to lower verticals.
 - 3) Connect curved horizontals together.
 - 4) Attach curved horizontal assemblies between verticals.

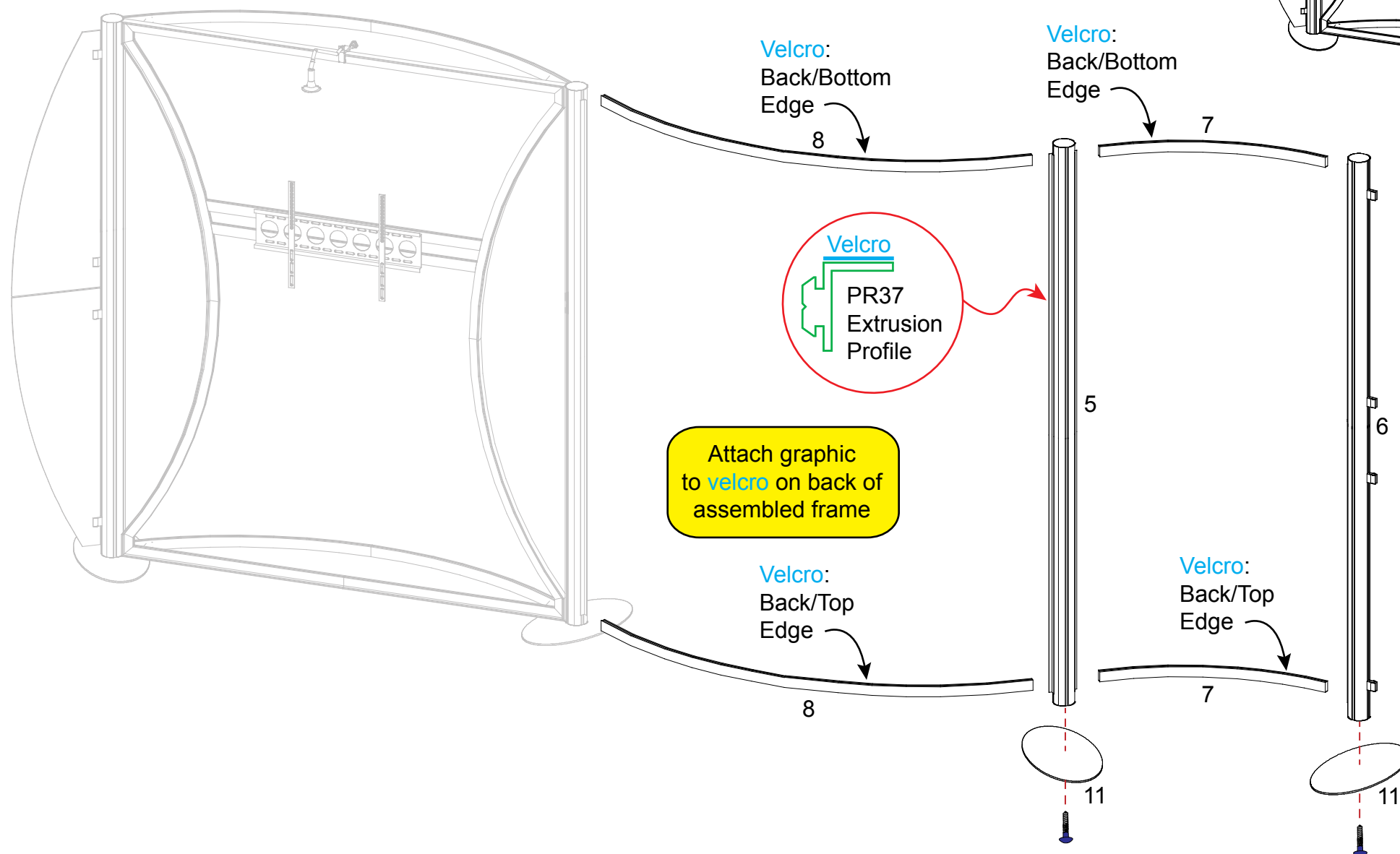


Steps:

- 1) Attach base plates to lower verticals using bolts as shown.
- 2) Attach upper verticals to lower verticals.
- 3) Connect curved horizontals together.
- 4) Attach curved horizontal assemblies between verticals.

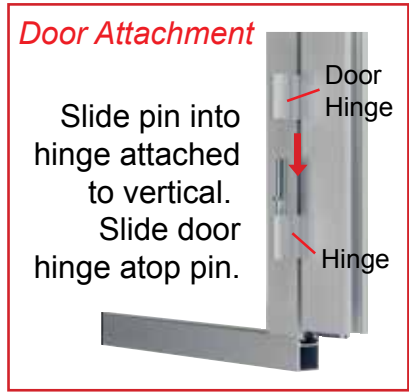


When assembled

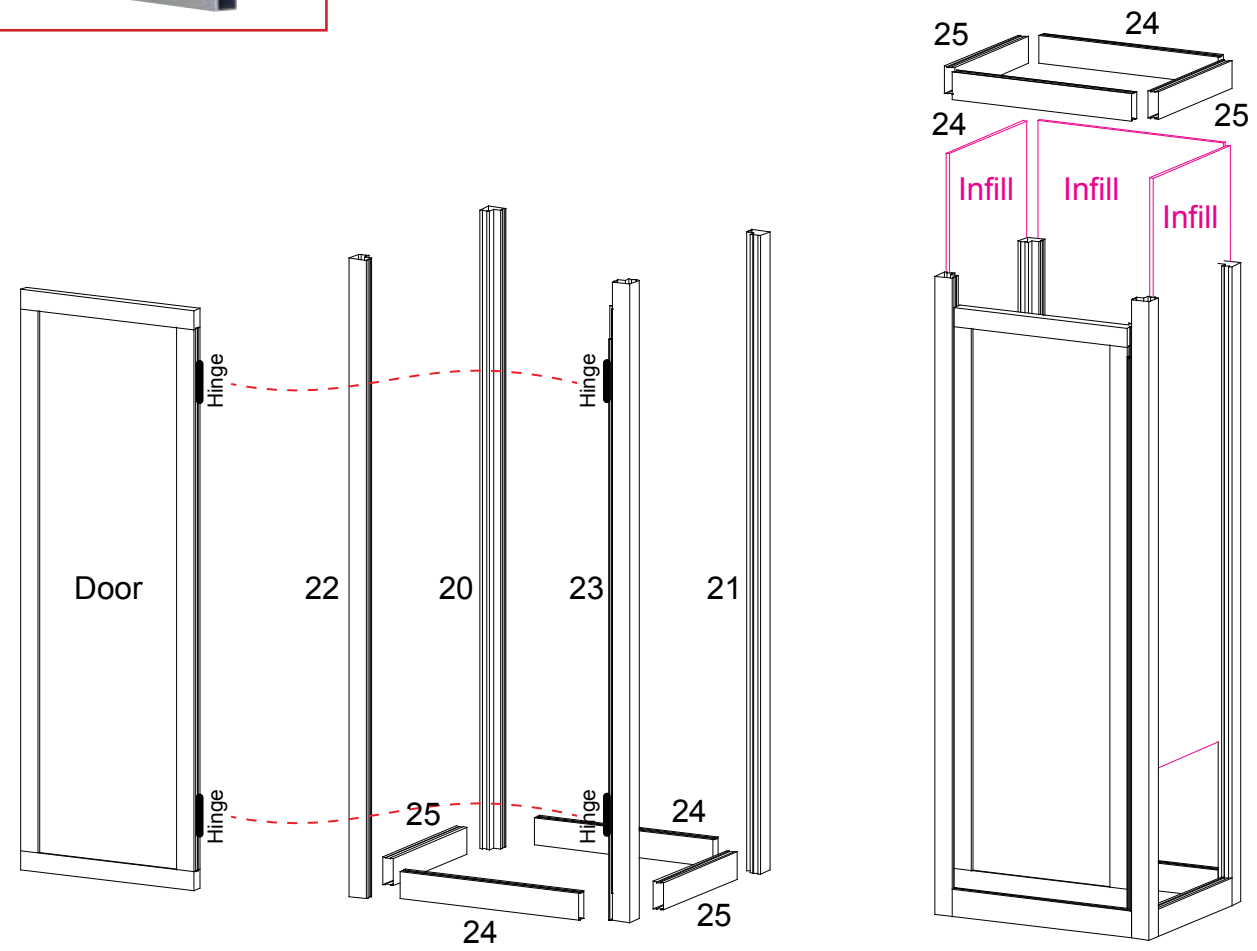
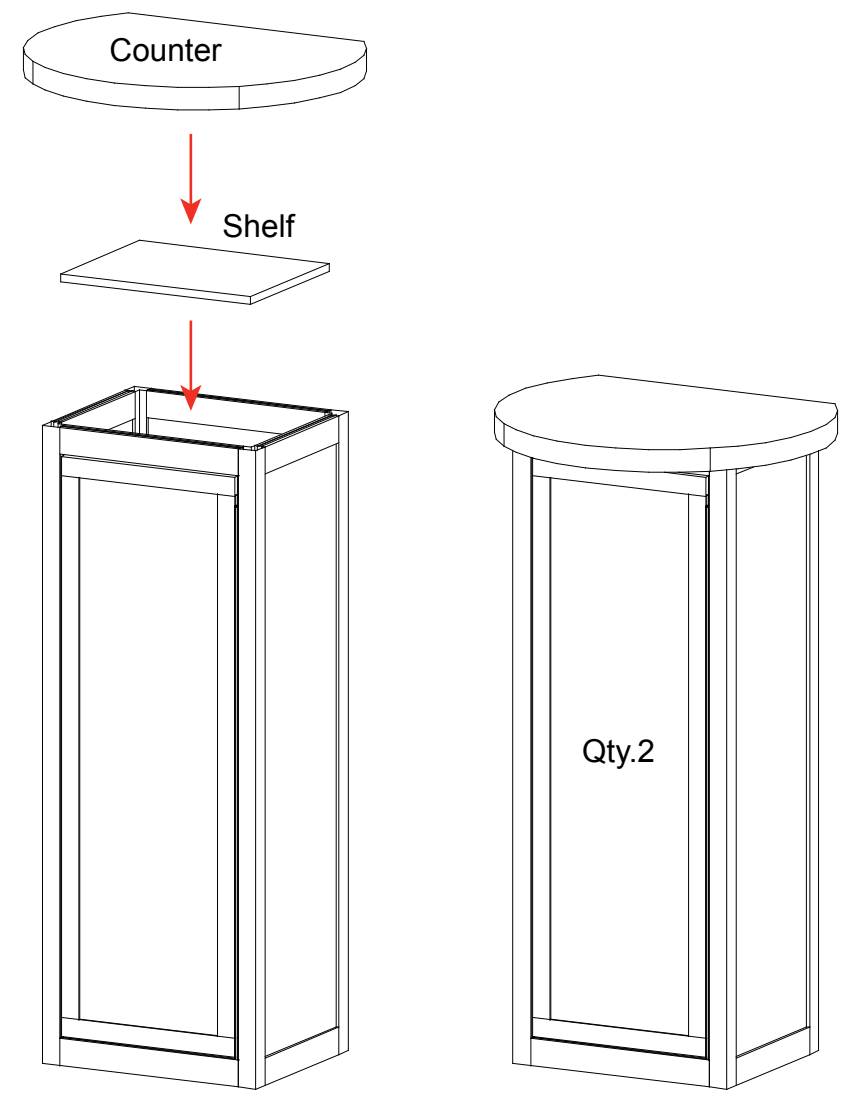
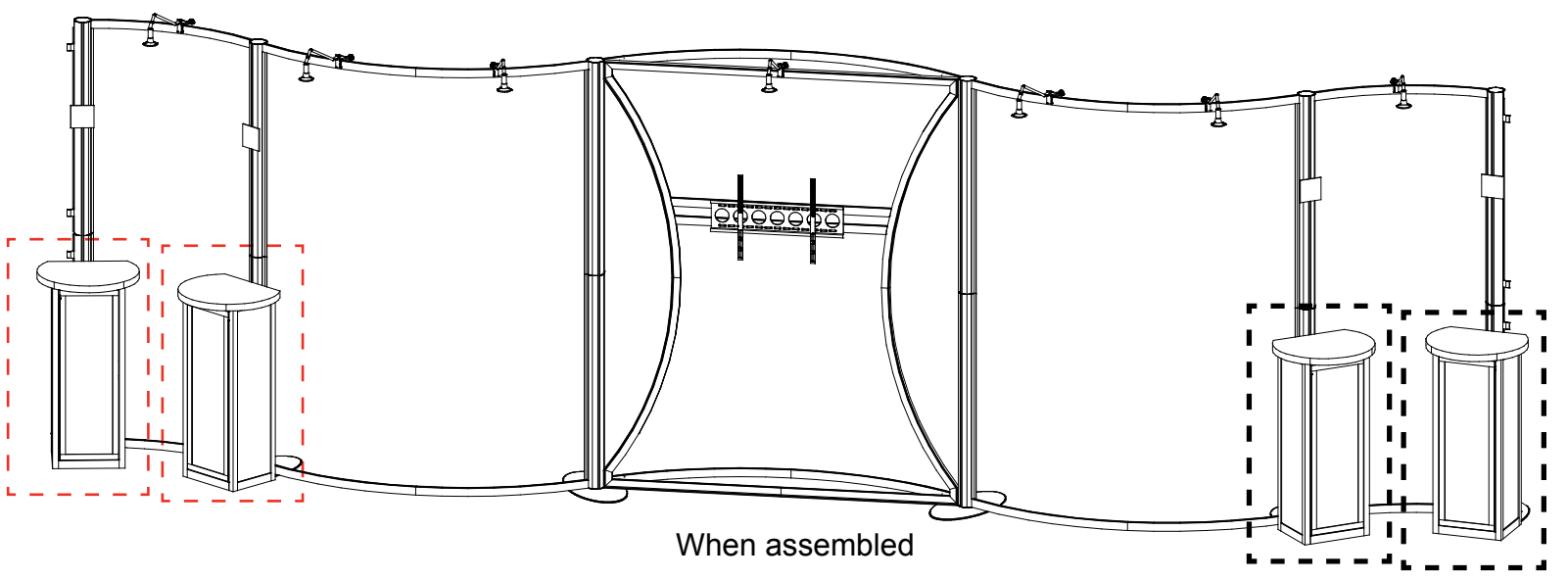


| Item | Qty. | Description |
|------|------|---------------------------------|
| 5 | 1 | 96"h Round Vertical Extrusion |
| 6 | 1 | 96"h Round Vertical Extrusion |
| 7 | 2 | 38" Curved Horizontal Extrusion |
| 8 | 2 | 76" Curved Horizontal Extrusion |
| 11 | 2 | Oval Base Plate |

| Item | Qty. | Description | Item | Qty. | Description |
|------|------|---------------------------------|------|------|---------------------------------|
| 20 | 2 | 42" h Corner Vertical Extrusion | 20 | 2 | 42" h Corner Vertical Extrusion |
| 21 | 2 | 42" h Corner Vertical Extrusion | 21 | 2 | 42" h Corner Vertical Extrusion |
| 22 | 2 | 42" h Corner Vertical Extrusion | 22 | 2 | 42" h Corner Vertical Extrusion |
| 23 | 2 | 42" h Corner Vertical Extrusion | 23 | 2 | 42" h Corner Vertical Extrusion |
| 24 | 8 | 13" w Horizontal Extrusion | 24 | 8 | 13" w Horizontal Extrusion |
| 25 | 8 | 10" w Horizontal Extrusion | 25 | 8 | 10" w Horizontal Extrusion |



- Steps:**
- 1) Attach lower horizontals between verticals.
 - 2) Attach door to vertical [23]. Refer to *Door Attachment* detail.
 - 3) Slide infills between verticals as shown.
 - 4) Attach upper horizontals between verticals.
 - 5) Velcro attach shelf supports to inside of assembled pedestal.
 - 6) Place shelf atop shelf supports.
 - 7) Place counter atop assembled pedestal.



Steps:

1) Attach graphics with A10 clips as shown in *Example of A10 Clamp Attachment* detail.

